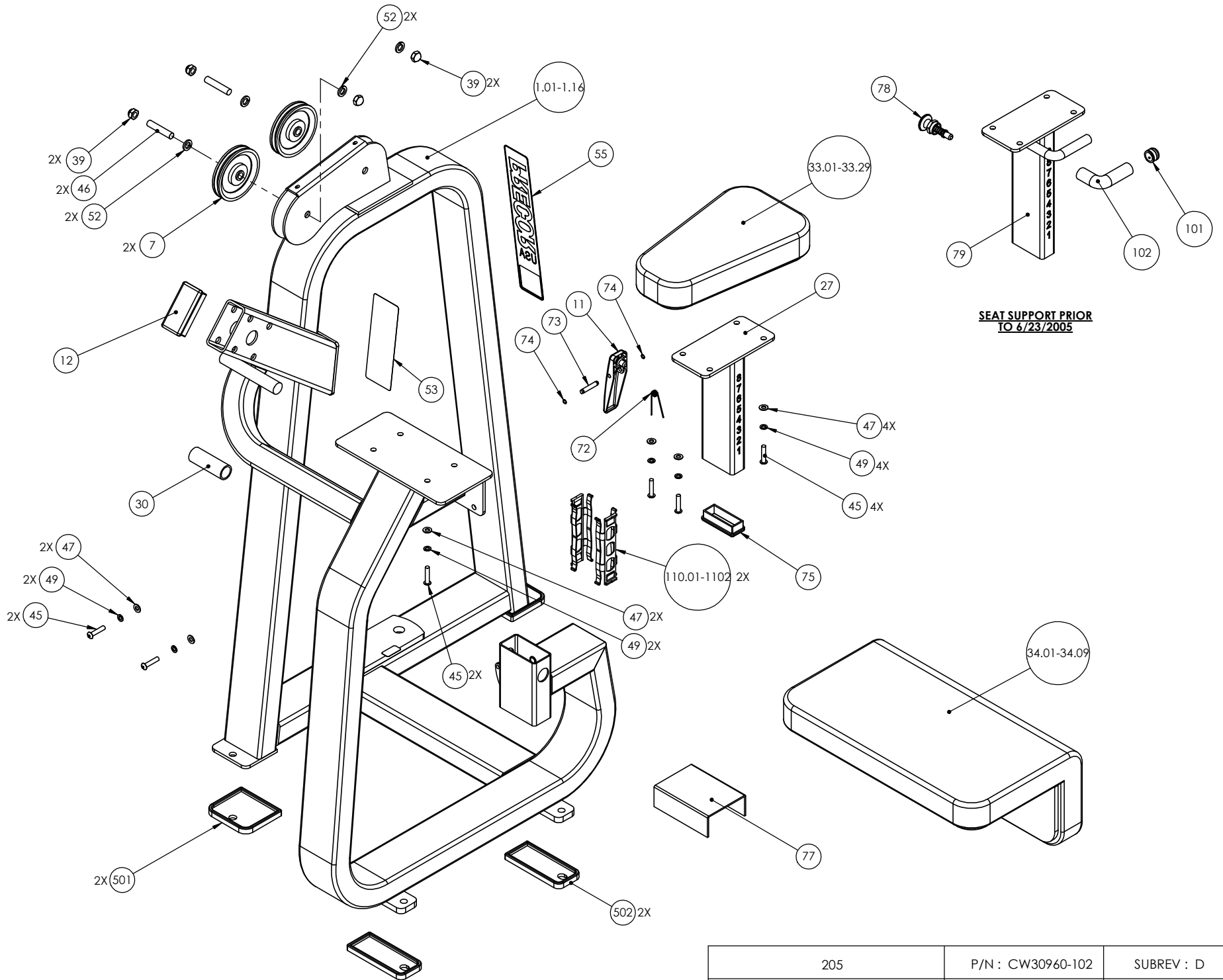
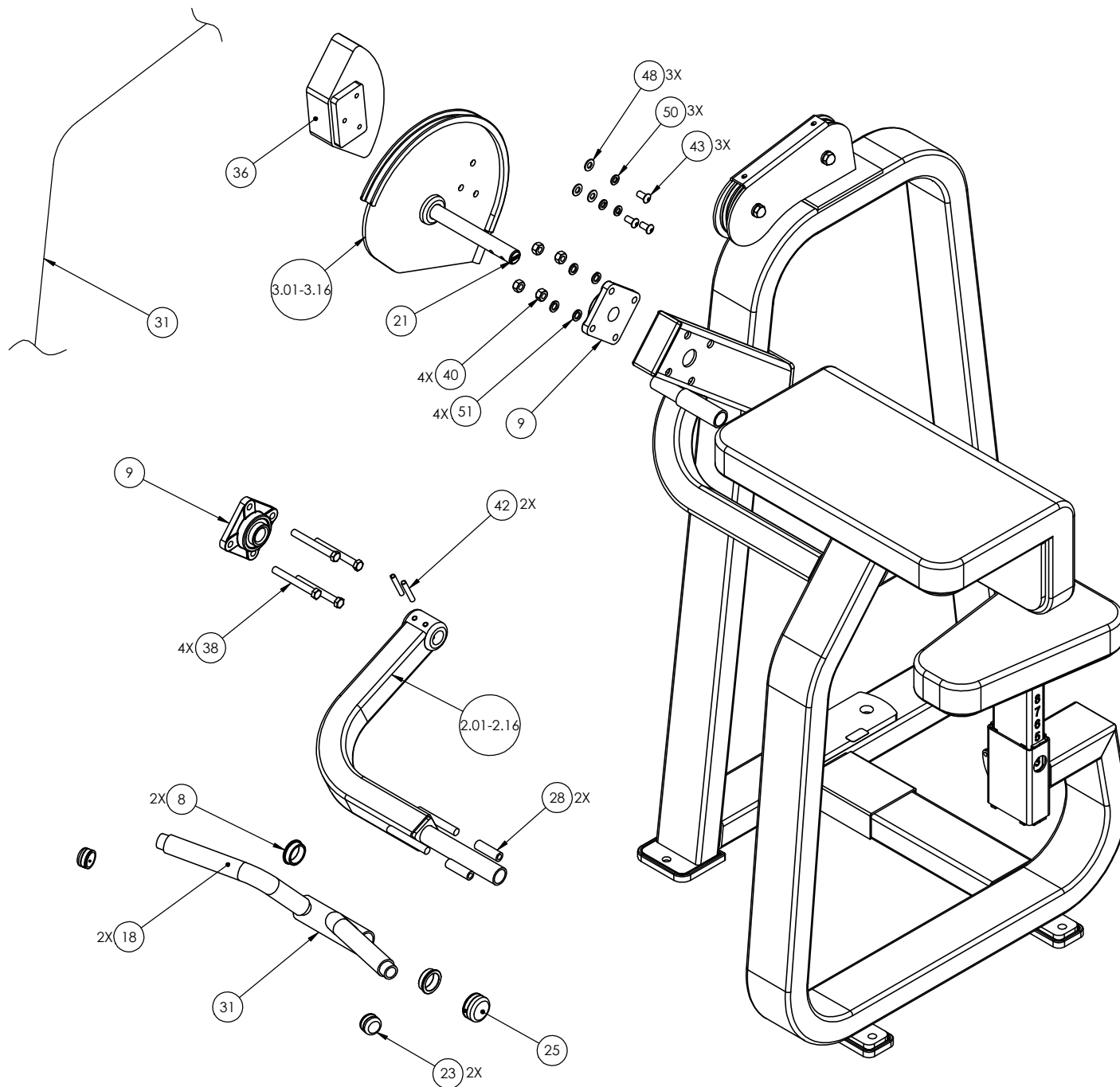


205	P/N : CW30960-102	SUBREV : D
DRAWN BY : VLE	DATE : 11.12.09	SHEET 1 OF 4

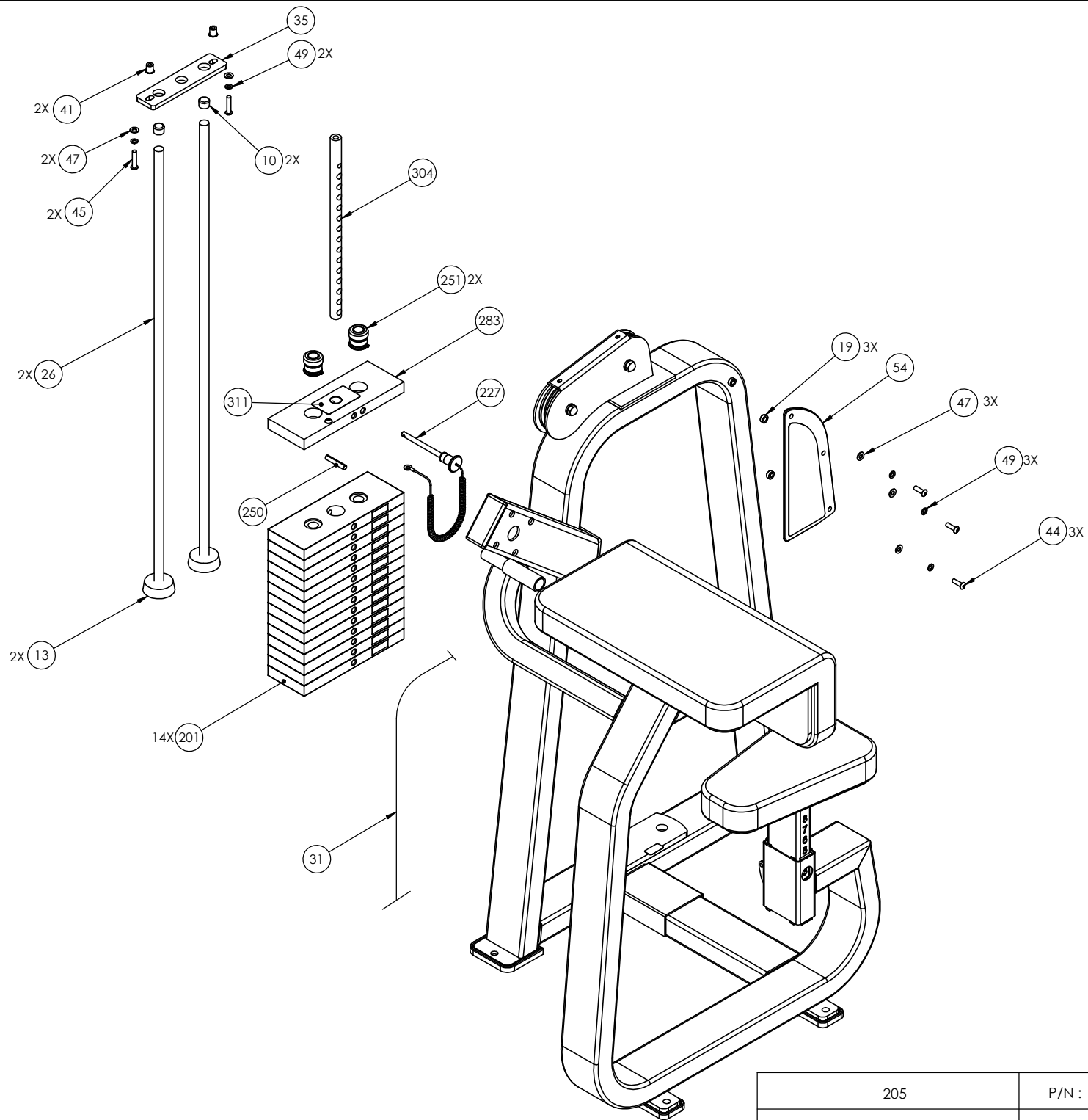


**SEAT SUPPORT PRIOR
TO 6/23/2005**

205	P/N : CW30960-102	SUBREV : D
DRAWN BY : VLE	DATE : 11.12.09	SHEET 2 OF 4



205	P/N : CW30960-102	SUBREV : D
DRAWN BY : VLE	DATE : 11.12.09	SHEET 3 OF 4



205	P/N : CW30960-102	SUBREV : D
DRAWN BY : VLE	DATE : 11.12.09	SHEET 4 OF 4

205 Bicep Curl

Part Number	Description	Bubble Number
CW205SA1-211	ASSY,FRAME,MAIN,205,SKY WHITE	1.01
CW205SA1-212	ASSY,FRAME,MAIN,205,SKY WHITE	1.01
CW205SA1-221	ASSY,FRAME,MAIN,205,BLACK	1.02
CW205SA1-231	ASSY,FRAME,MAIN,205,RED	1.03
CW205SA1-241	ASSY,FRAME,MAIN,205,PLATINUM SPRKLE	1.04
CW205SA1-251	ASSY,FRAME,MAIN,205,SILVER	1.05
CW205SA1-261	ASSY,FRAME,MAIN,205,BLUE	1.06
CW205SA1-271	ASSY,FRAME,MAIN,205,CHARCOAL	1.07
CW205SA1-281	ASSY,FRAME,MAIN,205,CATHEDRAL GRAY	1.08
CW205SA1-291	ASSY,FRAME,MAIN,205,SILVER VIEN	1.09
CW205SA1-321	ASSY,FRAME,MAIN,205,TITANIUM HG	1.12
CW205SA1-322	ASSY,FRAME,MAIN,205,TITANIUM HG	1.12
CW205SA1-331	ASSY,FRAME,MAIN,205,WHITE GLOSS	1.13
CW205SA1-341	ASSY,FRAME,MAIN,205,BLACK ONYX	1.14
CW205SA1-351	ASSY,FRAME,MAIN,205,LIGHT BRONZE	1.15
CW205SA1-361	ASSY,FRAME,MAIN,205,SAPPHIRE BLUE	1.16
CW204205SA3-211	ASSY, ARM, 204/205,SKY WHITE	2.01
CW204205SA3-221	ASSY, ARM, 204/205,BLACK	2.02
CW204205SA3-231	ASSY, ARM, 204/205,RED	2.03
CW204205SA3-241	ASSY, ARM, 204/205,PLAT SPKLE	2.04
CW204205SA3-251	ASSY, ARM, 204/205,SILVER	2.05
CW204205SA3-261	ASSY, ARM, 204/205,BLUE	2.06
CW204205SA3-271	ASSY, ARM, 204/205,CHARCOAL	2.07
CW204205SA3-281	ASSY, ARM, 204/205,CATH GRY	2.08
CW204205SA3-291	ASSY, ARM, 204/205,SILVER VIEN	2.09
CW204205SA3-321	ASSY, ARM, 204/205,TITANIUM HG	2.12
CW204205SA3-331	ASSY, ARM, 204/205,WHITE GLOSS	2.13
CW204205SA3-341	ASSY, ARM, 204/205,BLACK ONYX	2.14
CW204205SA3-351	ASSY, ARM, 204/205,LIGHT BRONZE	2.15
CW204205SA3-361	ASSY, ARM, 204/205,SAPPHIRE BLUE	2.16
CW205SA4-211	ASSY,CAM,205, SKY WHITE	3.01
CW205SA4-321	ASSY,CAM,205,TITANIUM HG	3.12
CW30024-101	LABEL,INSTRUCTION,205	4
CWAC1001-101	LABEL, "ICARIAN", 1 1/2 X 8 1/8	5
CWAC1002-101	LABEL, "ICARIAN", 3 X 16 3/8	6
CW11311-102	ENDCAP, REC TUBE, 2X4, BLK PLASTIC	12
CW34822-101	LABEL, "ASSEMBLED IN THE USA"	14
CWAC1161-101	LABEL, ROUND, "MADE IN USA"	14
CWAC1164-101	PLACARD, CLEAR LEXAN, ANGLED	20
CW30007-101	LABEL, ROUND, "PIVOT"	21
CWAC1232-101	TUBE, VINYL, 5/8 OD X 3/8 ID X 2.0	28
CW10340-200	GRIP, RUBBER, 1.00" OD HANDLE, 3.50	30
CWGR4603-500	PAD,5X9X14.5,4HOLES,BLACK	33.01
CWCLGH056-125	PAD,5X9X14.5,4HOLES,RYL BL	33.02
CWPD1207A-101	PAD,5X9X14.5,4HOLES,DVE GRY	33.03
CWPD1207A-102	PAD,5X9X14.5,4HOLES,CROCUS	33.04
CWPD1207A-103	PAD,5X9X14.5,4HOLES,GROTTO	33.05
CWPD1207A-104	PAD,5X9X14.5,4HOLES,,GRAPHITE	33.06

CWPD1207A-105	PAD,5X9X14.5,4HOLES,RED	33.07
CWPD1207A-106	PAD,5X9X14.5,4HOLES,CHN GRN	33.08
CWPD1207A-107	PAD,5X9X14.5,4HOLES,TURQSE	33.09
CWPD1207A-108	PAD,5X9X14.5,4HOLES,RASP	33.1
CWPD1207A-109	PAD,5X9X14.5,4HOLES,PLUM	33.11
CWPD1207A-110	PAD,5X9X14.5,4HOLES,REGIMENT	33.12
CWPD1207A-111	PAD,5X9X14.5,4HOLES,SPC BLUE	33.13
CWPD1207A-112	PAD,5X9X14.5,4HOLES,BLK LTHR	33.15
CWPD1207A-113	PAD,5X9X14.5,4HOLES,NVBL LTH	33.16
CWPD1207A-115	PAD,5X9X14.5,4HOLES,PUTTY	33.17
CWPD1207A-116	PAD,5X9X14.5,4HOLES,IMPRL BL	33.18
CWPD1207A-117	PAD,5X9X14.5,4HOLES,YEW GRN	33.19
CWPD1207A-118	PAD,5X9X14.5,4HOLES,DSTY JD	33.2
CWPD1207A-119	PAD,5X9X14.5,4HOLES,TER COT	33.21
CWPD1207A-120	PAD,5X9X14.5,4HOLES,PAPRIKA	33.22
CWPD1207A-121	PAD,5X9X14.5,4HLS,ASH LTHR	33.23
CWPD1207A-122	PAD,5X9X14.5,4HLS,CERULAN LTHR	33.24
CWPD1207A-123	PAD,5X9X14.5,4HLS,CHARCOAL LTHR	33.25
CWPD1207A-124	PAD,5X9X14.5,4HLS,HUNTER LTHR	33.26
CWPD1207A-125	PAD,5X9X14.5,4HLS,MOSS LTHR	33.27
CWPD1207A-126	PAD,5X9X14.5,4HLS,SPICE LTHR	33.28
CWPD1207A-127	PAD,5X9X14.5,4HLS,TOMATO LTH	33.29
CWPD1207A-128	PAD,ANGL,2PC(7.5X22)(9.69X22),BLK,	34.01
CWPD1207A-129	PAD,ANGL,2PC(7.5X22)(9.69X22),RY BL	34.02
CWPD1210J-101	PAD,ANGL,2PC(7.5X22)(9.69X22),DV GR	34.03
CWPD1210J-102	PAD,ANGL,2PC(7.5X22)(9.69X22),CRCUS	34.04
CWPD1210J-103	PAD,ANGL,2PC(7.5X22)(9.69X22),GROTT	34.05
CWPD1210J-104	PAD,ANGL,2PC(7.5X22)(9.69X22),GRPHT	34.06
CWPD1210J-105	PAD,ANGL,2PC(7.5X22)(9.69X22),RED,	34.07
CWPD1210J-106	PAD,ANGL,2PC(7.5X22)(9.69X22),CHGR,	34.08
CWPD1210J-107	PAD,ANGL,2PC(7.5X22)(9.69X22),TRQS,	34.09
CWPD1210J-108	PAD,ANGL,2PC(7.5X22)(9.69X22),RASP,	34.1
CWPD1210J-109	PAD,ANGL,2PC(7.5X22)(9.69X22),PLUM,	34.11
CWPD1210J-110	PAD,ANGL,2PC(7.5X22)(9.69X22),RGMT,	34.12
CWPD1210J-111	PAD,ANGL,2PC(7.5X22)(9.69X22),SP BL	34.13
CWPD1210J-112	PAD,ANGL,2PC(7.5X22)(9.69X22)BLK LT	34.15
CWPD1210J-113	PAD,ANGL,2PC(7.5X22)(9.69X22)NBL LT	34.16
CWPD1210J-115	PAD,ANGL,2PC(7.5X22)(9.69X22),PUTTY	34.17
CWPD1210J116	PD,ANGL,2PC(7.5X22)(9.69X22),IMP BL	34.18
CWPD1210J-117	PD,ANGL,2PC(7.5X22)(9.69X22),YW GRN	34.19
CWPD1210J-118	PD,ANGL,2PC(7.5X22)(9.69X22),DST JD	34.2
CWPD1210J-119	PD,ANGL,2PC(7.5X22)(9.69X22),TRA CT	34.21
CWPD1210J-120	PD,ANGL,2PC(7.5X22)(9.69X22),PAPRKA	34.22
CWPD1210J-121	PD,ANGL,2PC,7.5X22,9.69X22,ASH LTHR	34.23
CWPD1210J-122	PD,ANGL,2P,7.5X22,9.69X22,CERLN LTH	34.24
CWPD1210J-123	PD,ANGL,2P,7.5X22,9.69X22,CHRCL LTH	34.25
CWPD1210J-124	PD,ANGL,2PC,7.5X22,9.69X22,HNTR LTH	34.26
CWPD1210J-125	PD,ANGL,2PC,7.5X22,9.69X22,MOSS LTH	34.27
CWPD1210J-126	PD,ANGL,2PC,7.5X22,9.69X22,SPCE LTH	34.28
CWPD1210J-127	PD,ANGL,2PC,7.5X22,9.69X22,TMTO LTH	34.29
CWPD1210J-128	WEIGHT STACK,150 LBS,MTP-S,14 X 10	37

CWPD1210J-129	NUT,INSERT,THIN-NUT,LARGE FLANGE	41
CW30093-150	LABEL,WARNING STRENGTH	53
CW12537-109	ASSY, LABEL,INSTRUCTION,205	54
CW30135-101	LABEL, PRECOR USA ICARIAN LINE	55
CW31756-101	CP, ABS CHANNEL, 1/8 X 2 X 4 X 6 1/	77
CWCP8106-000	ASSY, POP PIN, 0.450 DIA NOSE, BLU	78
CW30165-752	ASSY,SEAT SUPPORT,9 HOLE,CHM	79
CW30181-711	HANDLE END CAP W/SET SCREWS, DIA 3/	101
CWAC220-901	GRIP, RUBBER, .75" OD HANDLE, 5.00"	102
CWGR2505-000	ASSY, CABLE, 205	121
CWAC1133-101	BUSHING, WEIGHT PLATE, LDPE PLASTIC	203
CW33870-102	ASSEMBLY, 5" WEIGHT STACK PIN & LEA	227
CW30184-901	NUT,INSERT,THIN-NUT,LARGE FLANGE	400
CW12537-109	SHROUD,SHEET,STEEL,4 BENDS, SKY WHI	402.01
CWPF3143-211	SHROUD,SHEET,STEEL,3/32 THICK,4 BEN	402.02
CWPF3143-221	SHROUD,SHEET,STEEL,3/32 THICK,4 BEN	402.03
CWPF3143-231	SHROUD,SHEET,STEEL,3/32 THICK,4 BEN	402.04
CWPF3143-241	SHROUD,SHEET,STEEL,3/32 THICK,4 BEN	402.05
CWPF3143-251	SHROUD,SHEET,STEEL,3/32 THICK,4 BEN	402.06
CWPF3143-261	SHROUD,SHEET,STEEL,3/32 THICK,4 BEN	402.07
CWPF3143-271	SHROUD,SHEET,STEEL,3/32 THICK,4 BEN	402.08
CWPF3143-281	SHROUD,SHEET,STEEL,3/32 THICK,4 BEN	402.09
CWPF3143-291	SHROUD,SHEET,STEEL,3/32 THICK,4 BEN	402.11
CWPF3143-311	SHROUD,SHEET,STEEL,4 BENDS, TITANIU	402.12
CWPF3143-321	SHROUD,SHEET,STEEL,3/32 THICK,4 BEN	402.13
CWPF3143-331	SHROUD,SHEET,STEEL,3/32 THICK,4 BEN	402.14
CWPF3143-341	SHROUD,SHEET,STEEL,3/32 THICK,4 BEN	402.15
CWPF3143-351	SHROUD,SHEET,STEEL,3/32 THICK,4 BEN	402.16
CWPF3143-361	SHROUD,SHEET,STEEL,3/32 THICK,4 BEN	402.17
CWPF3143-711	SHROUD BRKT,PLATE,STEEL,1/8 THICK,1	403
CWPF3144-721	SHROUD BRKT,PLATE,STEEL,1/8 THICK,2	404
CWPF3145-721	SCREW, BUTTON HEAD, BLK XYLAN, 5/16	405
CWTAYN031-100	WASHER, SPLIT, 5/16 ID, BL	406
CWWALYN031-008	WASHER, FLAT, TYPE A, SAE, 5/16 ID	407
CWWBKN031-007	FLOOR PROTECTOR, RUBBER, 4.563 X 4.	501
CWAC1177-101	FLOOR PROTECTOR, RUBBER, 2.563 X 6.	502